



# J&J

## UHF Guitar Wireless System

### USER'S MANUAL



ITALIANO  
ENGLISH

REV.01/21

# EIKON





## INDEX

DISPOSAL OF OLD ELECTRICAL & ELECTRONIC EQUIPMENT .....	4
SAFETY INSTRUCTIONS.....	4
IN CASE OF FAULT .....	4
PACKAGING, SHIPPING AND COMPLAINT.....	4
WARRANTY AND PRODUCTS RETURN .....	4
MAINTENANCE AND DISCLAIMER .....	5
POWER SUPPLY.....	5
WARNING POSSIBLE HEARING DAMAGE!.....	5
USER'S WARNINGS AND CE CONFORMITY .....	6
INTRODUCTION .....	7
DESCRIPTION .....	7
EKJ&J TRANSMITTER .....	7
EKJ&J RECEIVER .....	7
OPERATING INSTRUCTIONS .....	8
TECHNICAL SPECIFICATION .....	9
FIGURE 1, 2 .....	19



## DISPOSAL OF OLD ELECTRICAL & ELECTRONIC EQUIPMENT



This marking shown on the product or its literature, indicates that it should not be disposed with other household wastes at the end of its working life. To prevent possible harm to the environment or human health from uncontrolled waste disposal, please separate this from other types of wastes and recycle it responsibly to promote the sustainable reuse of material resources.

Household users should contact either the retailer where they purchased this product, or their local government office, for details of where and how they can take this item for environmentally safe recycling. Business users should contact their supplier and check the terms and conditions of the purchase contract. This product should not be mixed with other commercial wastes for disposal.

## SAFETY INSTRUCTIONS

- **CAUTION** - Before using this product read carefully the following safety instructions. Take a look of this manual entirely and preserve it for future reference. When using any electric product, basic precautions should always be taken, including the following:
- To reduce the risk, close supervision is necessary when the product is used near children.
- Protect the apparatus from atmospheric agents and keep it away from water, rain and high humidity places.
- This product should be site away from heat sources such as radiators, lamps and any other device that generate heat.
- Care should be taken so that objects and liquids do not go inside the product.
- The product should be connected to a power supply only of the type described on the operating instructions or as marked on the product.

## IN CASE OF FAULT

- In case of fault or maintenance this product should be inspected only by qualified service personnel when:
  - Liquids have spilled inside the product.
  - The product has fallen and been damaged.
  - The product does not appear to operate normally or exhibits a marked change in performance.
- Do not operate on the product, it has no user-serviceable parts inside.
- Refer servicing to an authorized maintenance centre.

## PACKAGING, SHIPPING AND COMPLAINT

- This unit package has been submitted to ISTA 1A integrity tests. We suggest you control the unit conditions immediately after unpacking it.
- If any damage is found, immediately advise the dealer. Keep all unit packaging parts to allow inspection.
- EIKON is not responsible for any damage that occurs during shipment.
- Products are sold “delivered ex warehouse” and shipment is at charge and risk of the buyer.
- Possible damages to unit should be immediately notified to forwarder. Each complaint for manumitted package should be done within eight days from product receipt.

## WARRANTY AND PRODUCTS RETURN

- EIKON products have operating warranty and comply their specifications, as stated by manufacturer.
- EIKON warrants all materials, workmanship and proper operation of this product for a period of two years from the original date of purchase. If any defects are found in the materials or workmanship or if the product fails to function properly during the applicable warranty period, the owner should inform



about these defects the dealer or the distributor, providing receipt or invoice of date of purchase and defect detailed description. This warranty does not extend to damage resulting from improper installation, misuse, neglect or abuse. EIKON will verify damage on returned units, and when the unit has been properly used and warranty is still valid, then the unit will be replaced or repaired. EIKON is not responsible for any "direct damage" or "indirect damage" caused by product defectiveness.

## MAINTENANCE AND DISCLAIMER

- Clean only with dry cloth.
- EIKON products have been expressly designed for audio application, with signals in audio range (20Hz to 20kHz). EIKON has no liability for damages caused in case of lack of maintenance, modifications, improper use or improper installation non-applying safety instructions.
- EIKON reserves the right to change these specifications at any time without notice.
- EIKON declines any liability for damages to objects or persons caused by lacks of maintenance, improper use, installation not performed with safety precautions and at the state of the art.

## POWER SUPPLY

- This apparatus should only be connected to power source type specified in this user manual or on the unit.
- If the supplied AC power cable plug is different from the wall socket, please contact an electrician to change the AC power plug.
- Hold the plug and the wall outlet while disconnecting the unit from AC power.
- If the unit will not be used for a long period of time, please unplug the power cord from AC power outlet.
- To avoid unit power cord damage, please do not strain the AC power cable and do not bundle it.
- In order to avoid unit power cord damage, please ensure that the power cord is not stepped on or pinched by heavy objects.



### WARNING POSSIBLE HEARING DAMAGE!

- **To prevent possible hearing damage, do not listen at high volume levels for long periods.**
- This product is also intended for professional use only. Commercial use is subject to the Safety at work regulations. EIKON as a manufacturer is bound to inform you formally about the existence of eventual sanitary risks.
- This system is able to induce an acoustic pressure exceeding 85 dB ( $L_{Aeq,T}$ ), this is the maximum sound pressure level which your ear can be exposed to during a work day in almost all countries. According to the safety at work medicine higher sound levels or longer exposition times could damage your ear. The time of exposition by higher sound pressure levels should be shortened in order to prevent from ear damages. A few reliable warning signals which show that you have exposed yourself for a too long period to excessive sound pressure levels are: You hear bell or whistling sounds! You have the impression that you can't hear high tones anymore!
- The following table can help you to know which kind of sound, dB sound pressure level and time of exposure are typically permissible by human ears:

Duration Per Day in Hours	Sound Level dB ( $L_{p_{Aslow}}$ )	Typical Example
8	90	Duo in a small club
4	95	Subway train
2	100	Very loud classical music
1	105	Traffic Noise
1/4	115	Loudest part in a rock concert



## USER'S WARNINGS AND CE CONFORMITY

- Changes or modifications not expressly approved by EIKON could void your authority to operate the equipment.

### LICENSING INFORMATION:

- Frequency Range of EKJ&J: 863 - 865 MHz.
- Frequency Range of EKJ&JA: 512 – 541,7 MHz.
- A government license may be required to operate this equipment in certain areas.
- This equipment may be capable of operating on some frequencies not authorized in your country.
- The use of this professional wireless earphone equipment in some countries could be intended for professional use, so the licensability depends on the country it operates.
- EIKON suggests the user to contact the appropriate telecommunications authority concerning proper licensing and to obtain information on authorized frequencies for wireless products in your region.
- Licensing of professional wireless equipment is the user's responsibility, and licensability depends on the user's classification and application, and on the selected frequency.
- The product is in compliance with 2014 / 30/ EU EMC Directive & 2014 /35 / EU LVD Directive.
- EIKON hereby, declares that this wireless system complies with the essential requirements of Radio Equipment Directive (RED) 2014 / 53 / EU.
- The full and detailed declaration of conformity can be downloaded from the web site:
- [www.eikon-audio.com](http://www.eikon-audio.com)

**TABLE OF THE AUTHORIZED FREQUENCIES FOR THE EKJ&J SYSTEM IN EUROPE UPDATED WITH REFERENCE TO ERC-REC 70-03E DOCUMENT DATED FEBRUARY 7 2014**

COUNTRY CODE	TRANSMITTING FREQUENCIES (MHz)	
	512.000-541.700	863.000 - 865.000
BE CZ DK FI DE IS IE LI LU CH ES SI AL MD TR IT	Individual license required	no personal license required
AT EE FR LT PL SE GB	Individual license required and/or Limited implementation	
BG CY HR GR HU LV MT NL NO PT RO SK BA MK ME RU RS UA	NOT IMPLEMENTED	
GE	NOT IMPLEMENTED	
IN ALL COUNTRIES THE USE OF WIRELESS MICROPHONE SYSTEMS IS SUBJECT TO ANY TELEVISION AND BROADCAST TRANSMISSION		
CONSULT LOCAL OR NATIONAL RADIO SPECTRUM AUTHORITIES FOR INFORMATION ON POSSIBLE RESTRICTIONS OR NECESSARY AUTHORIZATIONS BEFORE USING THIS SHORT RANGE DEVICE.		



## INTRODUCTION

Thank you for choosing this EIKON product and for your trust in our brand, synonymous of professionalism, accuracy, high quality and reliability. All our products are CE approved and designed for continuous use in professional systems.

## DESCRIPTION

The **EKJ&J** is a UHF PLL controlled Wireless Guitar System providing a reliable and high quality signal transmission.

**EKJ&J** features 3 units: **EKJ&J** compact “connector sized” transmitter, **EKJ&J** compact “connector sized” receiver and USB to USB-C charging cable.

**16** channels frequencies (**50** channels EKJ&JA model) are available, allowing the possibility to use the apparatus with other wireless equipment.

## EKJ&J TRANSMITTER

See FIG. 1 at page 19:

1. **SIGNAL IN Jack Connector**

Connect it to your instrument, such as electric guitar or bass.

2. **280° rotating head**

3. **USB port for charging**

4. **Power indicator led**

5. **Frequency indicator led**

6. **POWER SWITCH**

Press this button to turn the transmitter ON /OFF.

7. **SET BUTTON**

Use this button to change the device Frequency channel.

## EKJ&J RECEIVER

See FIG. 2 at page 19:

1. **SIGNAL OUT Jack Connector**

Connect it to amplifier, pedalboard or mixer input channel.

2. **280° rotating head**

3. **USB port for charging**

4. **Power indicator led**

5. **Frequency indicator led**

6. **POWER SWITCH**

Press this button to turn the transmitter ON /OFF.



## OPERATING INSTRUCTIONS

Turn on the power switch on receiver and transmitter respectively, the device will connect automatically, RF indicator LED will light.

### Changing the Frequency

Turn on the transmitter, then short press the “SET” button to change frequency, the Receiver will automatically be matched.

### Re-pairing

1. First, power on the receivers you plan to transmit to.
2. On the Transmitter, Press and hold the SET button and POWER button at the same time until battery LED begins to flash.
3. RF indicator LED will light up on the receivers to show a successful connection.
4. After successfully pairing once, it will be automatically matched on future startups.

**Wireless system can support up to 6 pairs of devices working without interference.**

### Transmitting one signal to several receivers at the same time

1. First, power on all the receivers you plan to transmit to.
2. On the Transmitter, Press and hold the SET button and POWER button at the same time until battery LED begins to flash.
3. RF indicator LED will light up on the receivers to show a successful connection.

### Troubleshooting

On the single channel systems, transmitters will transmit to “CH A=A Frequency group” by default. If you are having trouble connecting to your Receiver, the Transmitter’s assignment may have been changed to “CH B=B Frequency group”.

#### To change back to “CH A”:

First be sure all Receivers are off. With transmitter powered off, hold down the power button for 9 seconds, unit will turn on and new group will be assigned. Now power on the Receiver and connection should set automatically. If not, try method of “Re-Pairing”.

### Power Supply

The USB to USB-C cable is for charging. Please use this to connect to a USB charging port or a qualified power adapter. While charging, please make sure that device is shut down to avoid the loss of electricity. This can lead to longer charging time and shorter battery life.





## TECHNICAL SPECIFICATION

<b>EKJ&amp;J – UHF PLL 16 Channel Transmitter</b>	
RF Channels	16 frequency presets
RF Frequency Band	UHF: 863-865 MHz
RF Frequency Stability	±0,002%
RF Oscillation Mode	PLL Synthesized
RF Modulation Type	Wideband FM Stereo
RF Output Power	10mW
Sub-harmonic	< 40 dB
Operating current	120 mA
Operating Time	3 to 5 hrs
Operating Power Supply	3.7 V / 500 mA - built-in Lithium battery
Charging mode	USB charging 5V – type C connector
Charging time	3 hours
Weight	0.05 Kg
<b>EKJ&amp;J –UHF PLL 16 Channels Receiver</b>	
RF Channels	16 frequency presets
RF Frequency Band	UHF: 863-865 MHz
RF Frequency Stability	±0,005%
RF Oscillation Mode	PLL Synthesized
RF Modulation Type	Wideband FM Stereo
RF Receiving Sensitivity	< -98 dBm
RF Receiving range	15 to 30 meters depending on used band conditions
Audio dynamic range	106 dBm
THD Distortion	< 0.5%
S/N Ratio	> 102 dBA
Audio output connector	6.3 mm Mono Jack
Output Power Max (continuous)	400 mW
Operating current	80 mA
Operating Time	5 hours
Operating Power Supply	3.7 V / 500 mA - built-in Lithium battery
Charging mode	USB charging 5V – type C connector
Charging time	3 hours
Weight	0.05 Kg



## TECHNICAL SPECIFICATION (A version)

<b>EKJ&amp;JA – UHF PLL 50 Channel Transmitter</b>	
RF Channels	50 frequency presets
RF Frequency Band	UHF: 512 – 541,7 MHz
RF Frequency Stability	±0,002%
RF Oscillation Mode	PLL Synthesized
RF Modulation Type	Wideband FM Stereo
RF Output Power	10mW
Sub-harmonic	< 40 dB
Operating current	120 mA
Operating Time	3 to 5 hrs
Operating Power Supply	3.7 V / 500 mA - built-in Lithium battery
Charging mode	USB charging 5V – type C connector
Charging time	3 hours
Weight	0.05 Kg
<b>EKJ&amp;JA –UHF PLL 50 Channels Receiver</b>	
RF Channels	50 frequency presets
RF Frequency Band	UHF: 512 – 541,7 MHz
RF Frequency Stability	±0,005%
RF Oscillation Mode	PLL Synthesized
RF Modulation Type	Wideband FM Stereo
RF Receiving Sensitivity	< -98 dBm
RF Receiving range	15 to 30 meters depending on used band conditions
Audio dynamic range	106 dBm
THD Distortion	< 0.5%
S/N Ratio	> 102 dBA
Audio output connector	6.3 mm Mono Jack
Output Power Max (continuous)	400 mW
Operating current	80 mA
Operating Time	5 hours
Operating Power Supply	3.7 V / 500 mA - built-in Lithium battery
Charging mode	USB charging 5V – type C connector
Charging time	3 hours
Weight	0.05 Kg



## INDICE

TRATTAMENTO DEL DISPOSITIVO ELETTRICO OD ELETTRONICO A FINE VITA.....	12
AVVERTENZE PER LA SICUREZZA.....	12
IN CASO DI GUASTO .....	12
IMBALLAGGIO, TRASPORTO E RECLAMI .....	12
GARANZIE E RESI.....	12
MANUTENZIONE E LIMITAZIONI D'USO .....	13
ALIMENTAZIONE .....	13
ATTENZIONE POSSIBILI DANNI ALL'UDITO! .....	13
AVVERTENZE PER L'UTILIZZO E CONFORMITÀ CE.....	14
INTRODUZIONE.....	15
DESCRIZIONE .....	15
TRASMETTITORE EKJ&J .....	15
RICEVITORE EKJ&J.....	15
ISTRUZIONI OPERATIVE.....	16
SPECIFICHE TECNICHE.....	17
FIGURE 1, 2 .....	19



## **TRATTAMENTO DEL DISPOSITIVO ELETTRICO OD ELETTRONICO A FINE VITA**

Il marchio riportato sul prodotto o sulla documentazione indica che il prodotto non deve essere smaltito con altri rifiuti domestici al termine del ciclo di vita. Per evitare eventuali danni all'ambiente si invita l'utente a separare questo prodotto da altri tipi di rifiuti e di riciclarlo in maniera responsabile per favorire il riutilizzo sostenibile delle risorse materiali. Gli utenti domestici sono invitati a contattare il rivenditore presso il quale è stato acquistato il prodotto o l'ufficio locale preposto per tutte le informazioni relative alla raccolta differenziata e al riciclaggio per questo tipo di prodotto. Gli utenti aziendali sono invitati a contattare il proprio fornitore e verificare i termini e le condizioni del contratto di acquisto. Questo prodotto non deve essere smaltito unitamente ad altri rifiuti commerciali.

## **AVVERTENZE PER LA SICUREZZA**

- **ATTENZIONE** - Prima di utilizzare il prodotto, si prega di leggere attentamente le seguenti istruzioni per la sicurezza. Prendere visione del manuale d'uso e conservarlo per successive consultazioni. Durante l'uso di un prodotto elettrico devono essere sempre prese precauzioni di base onde evitare danni a cose o persone, incluse le seguenti:
- In presenza di bambini, controllare che il prodotto non rappresenti un pericolo.
- Posizionare l'apparecchio al riparo dagli agenti atmosferici e a distanza di sicurezza dall'acqua, dalla pioggia e dai luoghi ad alto grado di umidità.
- Collocare o posizionare il prodotto lontano da fonti di calore quali radiatori, griglie di riscaldamento e ogni altro dispositivo che produca calore.
- Evitare che qualsiasi oggetto o sostanza liquida entri all'interno del prodotto.
- Il prodotto deve essere connesso esclusivamente alla alimentazione elettrica delle caratteristiche descritte nel manuale d'uso o scritte sul prodotto.

## **IN CASO DI GUASTO**

- In caso di guasto o manutenzione questo prodotto deve essere ispezionato da personale qualificato quando:
  - Sostanze liquide sono penetrate all'interno del prodotto.
  - Il prodotto è caduto e si è danneggiato.
  - Il prodotto non funziona normalmente esibendo un marcato cambio di prestazioni.
- Non intervenire sul prodotto e rivolgersi a un centro di assistenza autorizzato EIKON.

## **IMBALLAGGIO, TRASPORTO E RECLAMI**

- L'imballo è stato sottoposto a test di integrità secondo la procedura ISTA 1A. Si raccomanda di controllare il prodotto subito dopo l'apertura dell'imballo.
- Se vengono riscontrati danni informare immediatamente il rivenditore. Conservare quindi l'imballo completo per permetterne l'ispezione.
- EIKON declina ogni responsabilità per danni causati dal trasporto.
- Le merci sono vendute "franco nostra sede" e viaggiano sempre a rischio e pericolo del distributore.
- Eventuali avarie e danni dovranno essere contestati al vettore. Ogni reclamo per imballi manomessi dovrà essere inoltrato entro 8 giorni dal ricevimento della merce.

## **GARANZIE E RESI**

- I Prodotti EIKON sono provvisti della garanzia di funzionamento e di conformità alle proprie specifiche, come dichiarate dal costruttore.
- La garanzia di funzionamento è di 24 mesi dopo la data di acquisto. I difetti rilevati entro il periodo di garanzia sui prodotti venduti, attribuibili a materiali difettosi o difetti di costruzione, devono essere tempestivamente segnalati al proprio rivenditore o distributore, allegando evidenza scritta della data di



acquisto e descrizione del tipo di difetto riscontrato. Sono esclusi dalla garanzia difetti causati da uso improprio o manomissione. EIKON constata tramite verifica sui resi la difettosità dichiarata, correlata all'appropriato utilizzo, e l'effettiva validità della garanzia; provvede quindi alla sostituzione o riparazione dei prodotti, declinando tuttavia ogni obbligo di risarcimento per danni diretti o indiretti eventualmente derivanti dalla difettosità.

## MANUTENZIONE E LIMITAZIONI D'USO

- Pulire il prodotto unicamente con un panno asciutto.
- I Prodotti EIKON sono destinati esclusivamente ad un utilizzo specifico di tipo sonoro: segnali di ingresso di tipo audio (20Hz-20kHz). EIKON declina ogni responsabilità per danni a terzi causati da mancata manutenzione, manomissioni, uso improprio o installazione non eseguita secondo le norme di sicurezza.
- EIKON si riserva di modificare il prodotto e le sue specifiche senza preavviso.
- EIKON declina ogni responsabilità per danni a terzi causati da mancata manutenzione, manomissioni, uso improprio o installazione non eseguita secondo le norme di sicurezza e a regola d'arte.

## ALIMENTAZIONE

- Il prodotto deve essere connesso esclusivamente alla alimentazione elettrica delle caratteristiche descritte nel manuale d'uso o scritte sul prodotto.
- Se la spina e la presa non combaciano, rivolgersi ad un elettricista per far installare una presa appropriata.
- Quando si scollega l'apparato alla rete tenere saldamente sia la spina che la presa.
- Quando l'unità non viene utilizzata per un periodo prolungato, estrarre la spina dalla presa dell'alimentazione.
- Per evitare danni alla linea d'alimentazione dell'apparato, non mettere in trazione il cavo d'alimentazione e non utilizzare un cavo attorcigliato.
- Per evitare il danneggiamento del cavo d'alimentazione dell'apparato, assicurarsi che questo non venga calpestato o schiacciato da oggetti pesanti.



## ATTENZIONE POSSIBILI DANNI ALL'UDITO!

- **Per prevenire possibili danni all'udito, non ascoltare a volumi elevati per lunghi periodi.**
- Questo prodotto è concepito solamente per uso professionale. Il suo utilizzo è soggetto alla legislazione della sicurezza sul lavoro. EIKON quale costruttore rende noto formalmente all'utilizzatore dell'esistenza di un possibile rischio sanitario.
- Questo sistema è in grado di produrre una pressione acustica superiore a 85 dB ( $L_{Aeq,T}$ ), questa è il livello massimo di pressione sonora a cui si può essere esposti per un giorno lavorativo di 8 ore. Conformemente alla medicina per la sicurezza sul lavoro i livelli sonori elevati o i lunghi tempi di esposizione possono danneggiare l'udito. Il tempo di esposizione ad elevate pressioni sonore deve essere diminuito il più possibile al fine di prevenire i danni all'udito. I pochi ma sicuri segnali che ci avvertono di essere stati esposti per un lungo periodo ad una eccessiva pressione sonora sono: si sentono suoni di campane o fischi inesistenti! Si ha l'impressione di non udire più i toni alti!
- La seguente tabella può aiutare a conoscere a che tipi di suono corrispondono i diversi livelli sonori espressi in decibel (dB) e il tempo di esposizione in ore per giorno tipicamente permesso all'uomo:

Ore di esposizione per giorno	Pressione Sonora dB ( $L_{p_{Aslow}}$ )	Esempio Tipico
8	90	Duo in un piccolo club
4	95	Treno metropolitano
2	100	Musica classica ad alto volume
1	105	Rumore del traffico urbano
1/4	115	Parte rumorosa di concerto rock



## AVVERTENZE PER L'UTILIZZO E CONFORMITÀ CE

- Eventuali modifiche di qualsiasi tipo non espressamente autorizzate dalla EIKON possono annullare il permesso di utilizzo di questo apparecchio.

### INFORMATIVA SULLA LICENZA:

- EKJ&J opera nella banda di frequenze: 863 - 865 MHz.
- EKJ&JA opera nella banda di frequenze: 512 - 541.700 MHz.
- Una licenza ministeriale potrebbe essere richiesta per l'uso di questo apparecchio in alcuni paesi.
- Questo apparecchio potrebbe essere in grado di funzionare a frequenze non autorizzate nella nazione in cui si trova l'utente.
- L'uso di questo apparecchio potrebbe essere inteso per uso professionale ed essere soggetto all'ottenimento di una autorizzazione che dipende dal paese in cui lo si usa.
- EIKON suggerisce all'utilizzatore di contattare l'autorità nazionale alle telecomunicazioni a riguardo delle frequenze autorizzate e a proposito della licenza appropriata nella propria regione, per l'uso di apparati radio a corto raggio per applicazioni audio senza fili.
- Chi usa apparati radio a corto raggio per applicazioni audio senza fili ha la responsabilità di procurarsi la licenza adatta al suo impiego; la concessione di tale licenza dipende dalla classificazione dell'operatore, dall'applicazione e dalla frequenza selezionata.
- EIKON dichiara che Il sistema wireless EIKON è conforme alla direttiva 2014 / 30/ EU Direttiva EMC & 2014 /35 / EU Direttiva LVD.
- EIKON dichiara che Il sistema wireless EIKON è conforme ai requisiti essenziali ed alle altre disposizioni pertinenti stabilite dalla direttiva RED 2014 /53 / EU.
- La dichiarazione di conformità completa e dettagliata può essere consultata sul sito:  
[www.eikon-audio.com](http://www.eikon-audio.com)

**TABELLA FREQUENZE AUTORIZZATE PER IL SISTEMA EKJ&J IN EUROPA AGGIORNATA CON ERC-REC 70-03E DEL 7 FEBBRAIO 2014**

CODICE NAZIONE	FREQUENZE DI TRASMISSIONE (MHz)	
	512.000-541.700	863.000 - 865.000
BE CZ DK FI DE IS IE LI LU CH ES SI AL MD TR IT	Licenza individuale richiesta	Nessuna Licenza individuale richiesta
AT EE FR LT PL SE GB	Licenza individuale richiesta e/o implementazione limitata	
BG CY HR GR HU LV MT NL NO PT RO SK BA MK ME RU RS UA	Non implementato	
GE	NON IMPLEMENTATO	
IN QUALSIASI NAZIONE L'USO DEI RADIOMICROFONI È SUBORDINATO AD EVENTUALI RADIOTRASMISSIONI TELEVISIVE		
RIFERIRSI SEMPRE ALLE AUTORITÀ NAZIONALI DELLE FREQUENZE DEL PROPRIO PAESE PER INFORMAZIONI SULLE DISPOSIZIONI DELLE FREQUENZE AUTORIZZATE E PER IL LORO USO A NORMA DI LEGGE		

**NOTA: PER TUTTE LE NAZIONI LA POTENZA RADIO PERMESSA È ESCLUSIVAMENTE LA MINIMA.**



## INTRODUZIONE

Grazie per aver scelto un prodotto EIKON e della fiducia riposta nel nostro marchio, sinonimo di professionalità, accuratezza, elevata qualità ed affidabilità. Tutti i nostri prodotti sono conformi alle normative CE per utilizzo continuo in impianti di diffusione sonora.

## DESCRIZIONE

**EKJ&J** è un sistema wireless per chitarra/basso UHF PLL in grado di offrire un'ottima ed affidabile qualità di segnale.

**EKJ&J** è composto da 3 unità: **EKJ&J** trasmettitore compatto "formato connettore", **EKJ&J** ricevitore compatto "formato connettore" e cavo di ricarica da USB a USB-C.

**16 canali (50 canali sul modello EKJ&JA)** pre-impostati, offrono la possibilità di utilizzare il sistema anche in presenza di altre apparecchiature wireless.

## TRASMETTITORE EKJ&J

Vedi FIG. 1 a pag. 19:

### 1. Connettore di USCITA Jack

Connetti il tuo ricevitore ad un amplificatore, una pedaliera oppure ad un qualsiasi canale d'ingresso del tuo mixer.

### 2. Spina ruotabile di 280°

### 3. Presa USB per la ricarica

### 4. Indicatore LED di accensione

### 5. Indicatore LED di frequenza

### 6. POWER SWITCH

Pulsante di accensione/spengimento del ricevitore.

### 7. Pulsante SET

Usa questo pulsante per cambiare la frequenza attraverso i canali pre-impostati..

## RICEVITORE EKJ&J

Vedi FIG. 2 a pag. 19:

### 1. Connettore di USCITA Jack

Connetti il tuo ricevitore ad un amplificatore, una pedaliera oppure ad un qualsiasi canale d'ingresso del tuo mixer.

### 2. Spina ruotabile di 280°

### 3. Presa USB per la ricarica

### 4. Indicatore LED di accensione

### 5. Indicatore LED di frequenza

### 6. POWER SWITCH

Pulsante di accensione/spengimento del ricevitore.



## ISTRUZIONI OPERATIVE

Accendi rispettivamente il ricevitore ed il trasmettitore tramite il pulsante ON/OFF, le unità si conatteranno automaticamente, l'indicatore led RF si accenderà.

### Cambio di frequenza (SELEZIONE CANALE)

Accendi il trasmettitore, quindi premi ripetutamente il tasto SET per cambiare il canale di frequenza, il ricevitore si abbinerà automaticamente.

### Nuovo abbinamento

1. Accendi il ricevitore.
2. Sul trasmettitore mantenendo premuto il tasto SET premi contemporaneamente il tasto POWER finchè il LED battery non inizia a lampeggiare.
3. L'indicatore led RF si accende a confermare l'avvenuto abbinamento.
4. Una volta abbinata le due unità, esse si sintonizzeranno automaticamente nelle successive accensioni.

**Il sistema wireless può supportare fino a 6 abbinamenti in assenza di interferenze.**

### Trasmettere un segnale a diversi ricevitori contemporaneamente

1. Accendi dapprima tutti i ricevitori.
2. Sul trasmettitore mantenendo premuto il tasto SET premi contemporaneamente il tasto POWER finchè il LED battery non inizia a lampeggiare.
3. L'indicatore led RF si accende a confermare l'avvenuto abbinamento.

### Risoluzione dei problemi

I trasmettitori utilizzano di default il gruppo di frequenze "CH A=A Frequency group". Se riscontri problemi di connessione con il ricevitore, il trasmettitore potrebbe essere impostato sul gruppo di frequenze "CH B=B Frequency group".

### Cambiare il Gruppo di frequenze

Assicurati che tutti i ricevitori siano spenti. A trasmettitore spento, mantieni premuto il tasto power per 9 secondi, l'unità si accenderà ed il nuovo gruppo verrà assegnato. Ora accendi il ricevitore e l'abbinamento dovrebbe avvenire automaticamente. Se ciò non si verifica, ripeti la funzione del **Nuovo abbinamento**.

### Power Supply

Il cavo in dotazione da USB a USB-C è utilizzato per la ricarica. Si prega di connettere il cavo ad una porta USB compatibile per la ricarica o ad un appropriato adattatore di rete con uscita USB. Durante la ricarica assicurati che le unità siano spente per evitare un eccessivo consumo di elettricità. Inoltre ciò potrebbe comportare tempi di ricarica più lunghi ed una durata inferiore della batteria.





## SPECIFICHE TECNICHE

<b>EKJ&amp;J – UHF PLL 16 Channel Transmitter</b>	
RF Channels	16 frequency presets
RF Frequency Band	UHF: 863-865 MHz
RF Frequency Stability	±0,002%
RF Oscillation Mode	PLL Synthesized
RF Modulation Type	Wideband FM Stereo
RF Output Power	10mW
Sub-harmonic	< 40 dB
Operating current	120 mA
Operating Time	3 to 5 hrs
Operating Power Supply	3.7 V / 500 mA - built-in Lithium battery
Charging mode	USB charging 5V – type C connector
Charging time	3 hours
Weight	0.05 Kg
<b>EKJ&amp;J –UHF PLL 16 Channels Receiver</b>	
RF Channels	16 frequency presets
RF Frequency Band	UHF: 863-865 MHz
RF Frequency Stability	±0,005%
RF Oscillation Mode	PLL Synthesized
RF Modulation Type	Wideband FM Stereo
RF Receiving Sensitivity	< -98 dBm
RF Receiving range	15 to 30 meters depending on used band conditions
Audio dynamic range	106 dBm
THD Distortion	< 0.5%
S/N Ratio	> 102 dBA
Audio output connector	6.3 mm Mono Jack
Output Power Max (continuous)	400 mW
Operating current	80 mA
Operating Time	5 hours
Operating Power Supply	3.7 V / 500 mA - built-in Lithium battery
Charging mode	USB charging 5V – type C connector
Charging time	3 hours
Weight	0.05 Kg



## SPECIFICHE TECNICHE (A version)

<b>EKJ&amp;JA – UHF PLL 50 Channel Transmitter</b>	
RF Channels	50 frequency presets
RF Frequency Band	UHF: 512 – 541,7 MHz
RF Frequency Stability	±0,002%
RF Oscillation Mode	PLL Synthesized
RF Modulation Type	Wideband FM Stereo
RF Output Power	10mW
Sub-harmonic	< 40 dB
Operating current	120 mA
Operating Time	3 to 5 hrs
Operating Power Supply	3.7 V / 500 mA - built-in Lithium battery
Charging mode	USB charging 5V – type C connector
Charging time	3 hours
Weight	0.05 Kg
<b>EKJ&amp;JA –UHF PLL 50 Channels Receiver</b>	
RF Channels	50 frequency presets
RF Frequency Band	UHF: 512 – 541,7 MHz
RF Frequency Stability	±0,005%
RF Oscillation Mode	PLL Synthesized
RF Modulation Type	Wideband FM Stereo
RF Receiving Sensitivity	< -98 dBm
RF Receiving range	15 to 30 meters depending on used band conditions
Audio dynamic range	106 dBm
THD Distortion	< 0.5%
S/N Ratio	> 102 dBA
Audio output connector	6.3 mm Mono Jack
Output Power Max (continuous)	400 mW
Operating current	80 mA
Operating Time	5 hours
Operating Power Supply	3.7 V / 500 mA - built-in Lithium battery
Charging mode	USB charging 5V – type C connector
Charging time	3 hours
Weight	0.05 Kg

FIG. 1

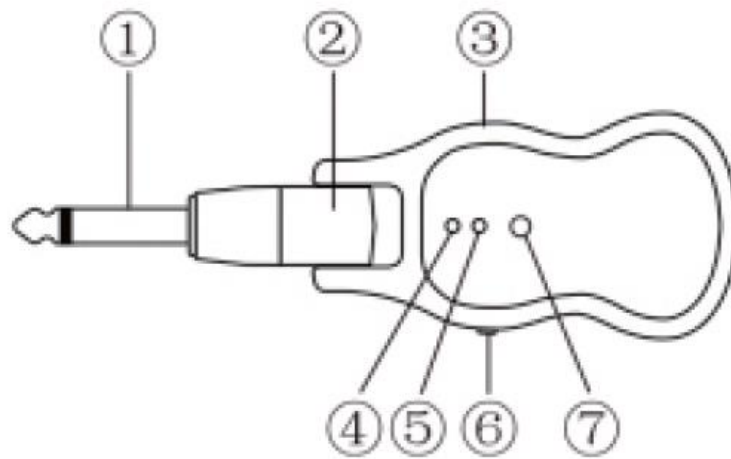
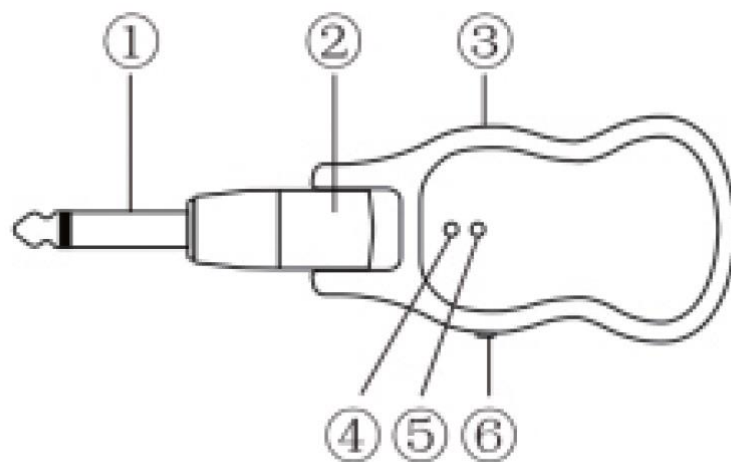


FIG. 2





# EIKON

IS A BRAND OF

**PROEL S.p.A.**

(World Headquarters - Factory)

Via alla Ruenia 37/43

64027 Sant'Omero (Te) – Italy

Tel: +39 0861 81241

Fax: +39 0861 887862

[www.eikon-audio.com](http://www.eikon-audio.com)

# EIKON