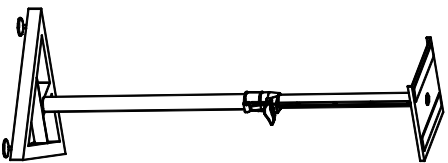
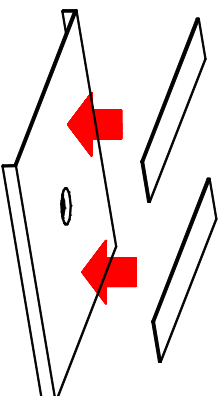


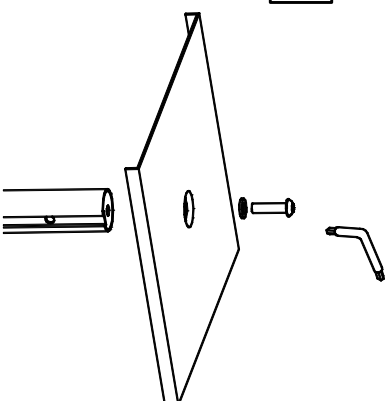
ASSEMBLED VIEW



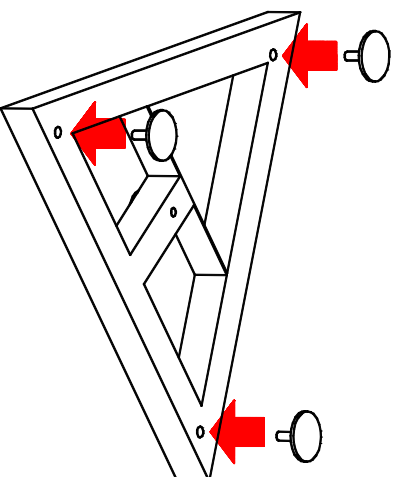
1



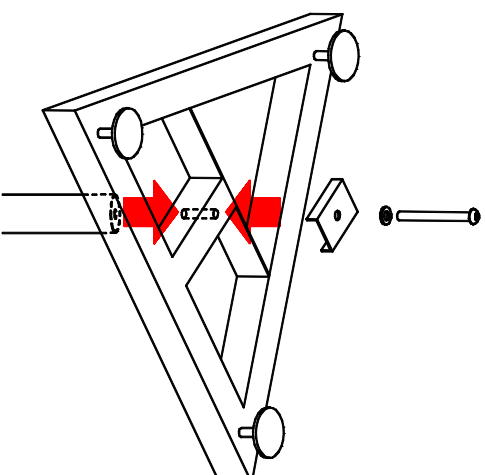
2



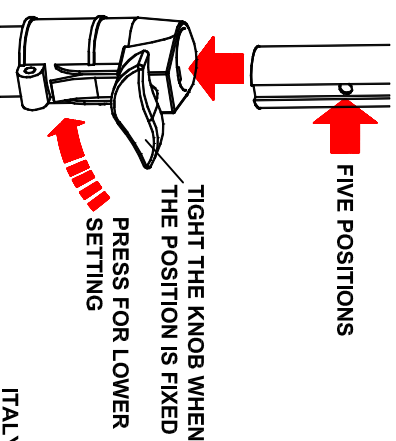
3



4



5



FIVE POSITIONS

TIGHT THE KNOB WHEN THE POSITION IS FIXED

PRESS FOR LOWER SETTING

CONDIZIONI D'USO
CONDITIONS OF USE

LA PROEL DECLINA OGNI RESPONSABILITA' PER DANNI DOVUTI AD USO IMPROPRIO, INOSSERVAZZA DELLE NORME DI UTILIZZO, INSTALLAZIONE INADEGUATA E/O FATTORI AMBIENTALI, SECONDO LE NORME DI LEGGE VIGENTI.
PROEL DECLINES ALL RESPONSABILITY FOR DAMAGE CAUSED BY IMPROPER OR INCORRECT USE, FAULTY INSTALLATION AND / OR ENVIRONMENTAL FACTORS, IN ACCORDANCE TO ALL APPROPRIATE LAWS AND REGULATIONS.

SUPPLIED MATERIALS

