

AX800A

Compact Line Array



AXIOM

*The essence
of Sound*

The AX800A defines the standard by which small format compact line array performance can be measured, in portable and fixed sound reinforcement applications where ease of setup and use, together with quality sound are critical. Born out of intensive research at Proel's R&D laboratories into advanced technologies and modern lightweight materials, its organically styled enclosure creates the definitive shape that's totally at home in the venue or on the road.



Carrying on the proud tradition of using only premium quality Italian-sourced transducers, the AX800A has been developed with total optimisation of the speaker components in mind – from the lightweight woofer cone materials through to the titanium diaphragm used in the high frequency compression driver. They've been developed in close cooperation with our supply partners, who act in many ways as an extension of our R&D acoustics team. Rigorous measurement and long term durability testing has ensured that every single finished product will meet the demands of every professional application – especially yours.

Housing two eight-inch low frequency drivers, which are transmission line back-loaded for a significant reduction in low range frequencies at the rear of the speaker, the AX800A delivers natural cardioid behaviour and therefore clean mid-bass reproduction. This is especially important in preventing the “boxy” mid-bass sound commonly obtained from regular bass-reflex enclosures, or the build up of excessive low-mid frequencies behind an array and on stage that can be annoying for performers.

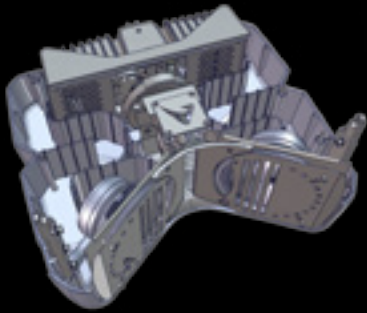
Completing the driver complement is a 1.4-inch titanium diaphragm compression driver loaded by an acoustic transmission line waveguide providing natural sounding high frequencies. The components are arranged in a very compact WTW driver configuration, which lends itself to correct line array behaviour, providing wide and even horizontal coverage of any venue or audience space.



KEY FEATURES

- Compact lightweight moulded enclosure
- WTW driver configuration
- Dual 8” woofers, 1.4” HF compression driver
- High quality, low distortion, large format compression driver with titanium diaphragm and new suspension design
- Acoustic filter control for stable 100° horizontal coverage
- Linear phase, constant power crossover design
- Aerodynamic transmission line back loading design resulting in clean mid-bass reproduction, natural cardioid behaviour and vented cooling of the amplifier stage
- Natural sounding transmission line HF projection wave-forming device
- 96KHz / 40 bit floating point CORE processing with PRONET remote control
- Array optimized presets
- Class D amplifier module with SMPS
- Easy-to-use rigging system

The moulded enclosure not only provides an aesthetic and discreet appearance with its large radiused edges and stylish design signature, it also provides mechanical and acoustic benefits such as the ability to integrate the transmission back loading for the low frequency drivers, as well as the exit ports. The material itself is thinner and therefore lighter than a conventional enclosure, and the cabinet is extensively ribbed inside to eliminate internal resonances.



Powering the loudspeaker drivers is a well-proven DA series Class D amplifier module used in many of the Axiom powered loudspeaker products, with audio quality that is comparable to some of the best analogue Class A-B designs, but with the benefit of lower weight and better than 90% efficiency. The output power is optimised specifically to the drive units, sharing 900 watts between both woofers and delivering 200 watts to the high frequency band. The DA series amplifier delivers superior definition at all frequencies, and very high dynamic range with low distortion even at maximum level, so your sound remains clean and dynamic even when loud.

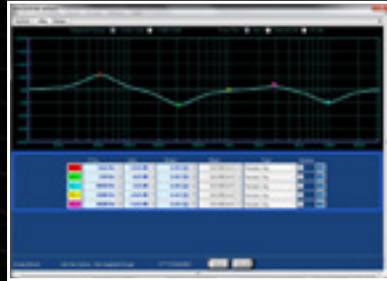


The AX800A's self-powered format makes it a plug-and-play solution for a myriad of portable sound reinforcement applications. With the matching SW1800A powered dual 18-inch manifolded bandpass subwoofer providing the lower octave, a system of eight mid/highs and two subs will deliver full frequency response from 20kHz down to 30Hz, and enough SPL and coverage for small to medium indoor or outdoor events. Balanced XLR inputs and link outputs provide hum-free connections from your mixing console, and mains power is connected and daisy-chained via locking powerCON™ connectors.



Array optimised presets are loaded into the AX800A amplifier's powerful CORE Processing DSP, allowing for standard line array coupling, long throw, or single box use, and a user preset is also available for custom settings. The DSP features 40 bit, 96kHz resolution for the best signal integrity and definition.

When networked, the entire system can be remotely controlled and monitored using Proel's PRONET remote software, providing a convenient way of operating the PA from a laptop or desktop PC at front of house. A whole range of parameters such as levels, EQ, delay, and compression, can be quickly and easily edited in real time.



Rigging the AX800A could not be easier. The simple three-point integrated hardware is very intuitive, consisting of aluminium bars at the front and a steel drop link at the rear to set the angles between cabinets. The incremental angle settings are clearly marked and are selected using the quick release rigging pins. Cabinets can even be flown straight out their transport cases, with angles already preset to save time when setting up the PA.

Two different 'T' shaped flybars are available for flying up to four cabinets deep, or up to twelve cabinets deep, from a single flypoint. The multiple pickup points on the flybars enable you to select the optimum downward inclination of the array to suit the audience space. A pair of cabinets can be pole mounted over a subwoofer, making a very powerful full range speaker system that can be set up and running in a matter of minutes.





AX800A

CONFIGURATION	2 x 8" LF driver 1 x 1.4" HF compression driver
FREQUENCY RESPONSE	85 Hz - 16.8 Hz \pm 3 dB (processed)
MAX PEAK SPL	132 dB
OUTPUT POWER	900 + 200 watts Class D amplifier with SMPS
COVERAGE ANGLE	100°H x 10°V (-6 dB)
DIMENSIONS (WXHXD)	600mm x 265.5mm x 516mm (23.6" x 10.5" x 20.3")
NET WEIGHT	25 kg (55.1 lbs)



SW1800A

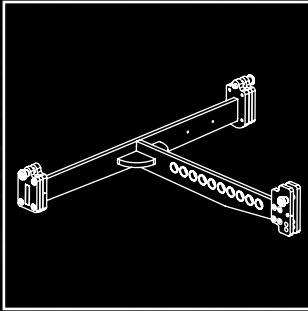
CONFIGURATION	2 x 18" LF driver
FREQUENCY RESPONSE	30 Hz - 100 Hz \pm 3 dB (processed)
MAX PEAK SPL	139 dB
OUTPUT POWER	1000 + 1000 watts Class D amplifier with SMPS
DIMENSIONS (WXHXD)	570mm x 960mm x 880mm (22.4" x 37.8" x 34.6")
NET WEIGHT	70 kg (154 lbs)



ACCESSORIES

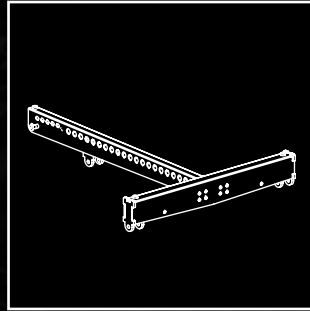
KPTAX800

Flying bar for 4 AX800A



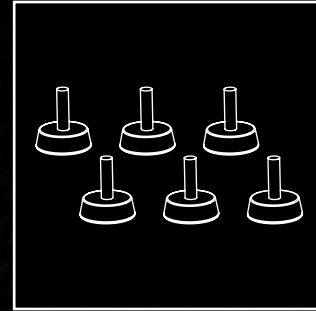
KPTAX800L

Flying bar for up to 12 AX800A



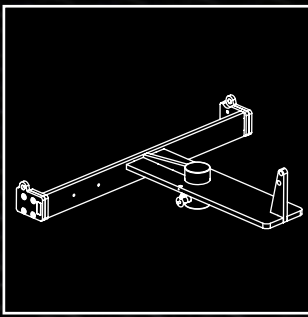
AXFEETKIT

Kit of 6pcs feet for stacked flying bar



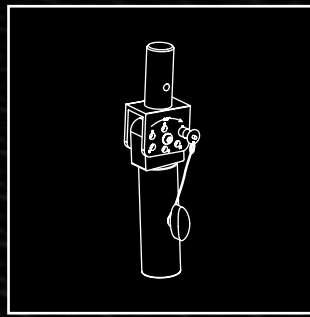
KPAX8

Pole Adapter for AX800A



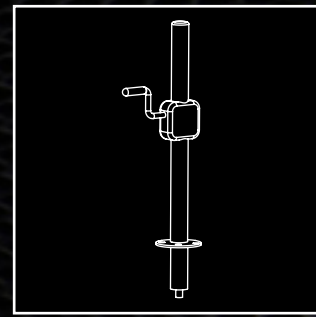
KP010

Heavy-duty adapter, made of aluminum alloy, suitable for stands with \varnothing 35mm end tube



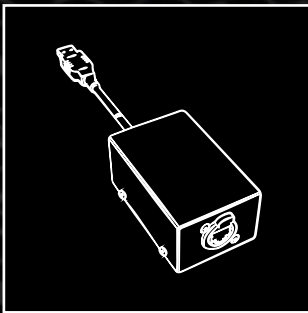
DHSS10M20

Adjustable Sub-Speaker \varnothing 35mm spacer with M20 screw



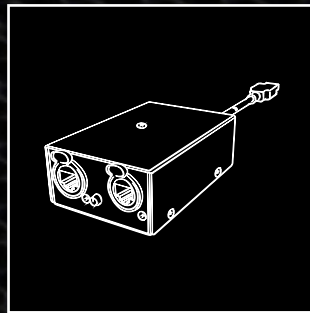
USB2CAN

USB to CAN converter



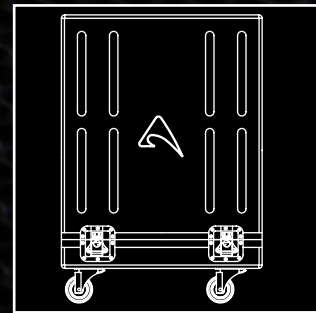
USB2CAND

Dual output USB to CAN converter



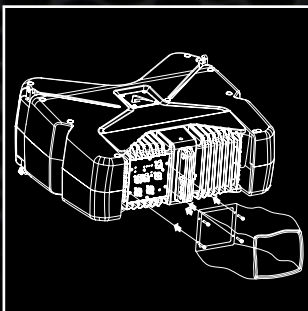
AXCASE08

Flightcase for 4 AX800A



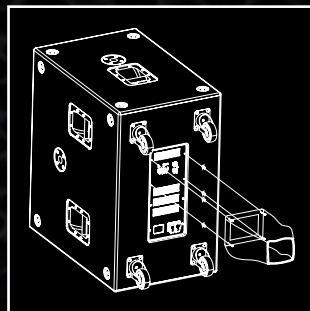
RAINCOV800

AX800A rain cover



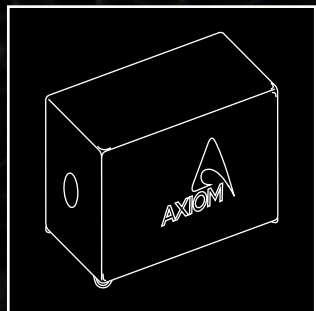
RAINCOV215

SW1800A rain cover



COVERSW1800

Cover for SW1800





AXIOM
is a brand of

PROEL SPA
(Worldwide Headquarters)
Via alla Ruenia, 37/43
64027 Sant'Omero (TE) - ITALY
Tel. +39 0861 81241
Fax +39 0861 887862
P.I. 00778590679
N.Reg.AEE IT 0802000002762

axiomproaudio.com

